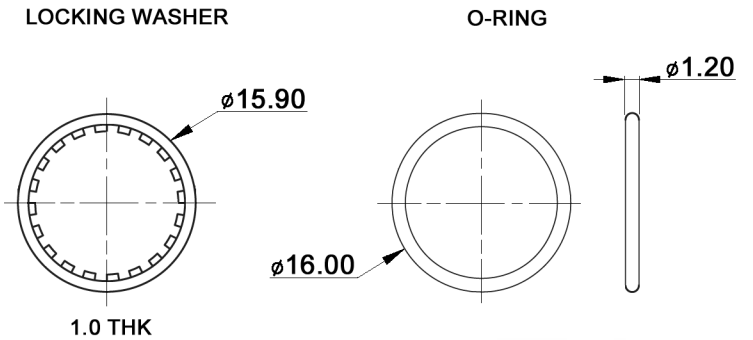
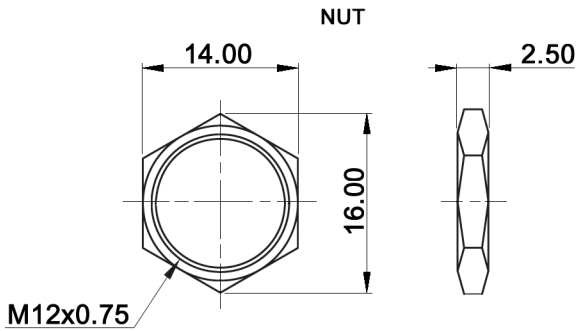




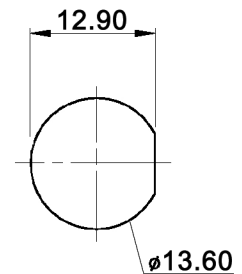
HARDWARE:



SWITCH FUNCTION

Model No.	POS. 1	POS. 2
		
DPW 1 BG	ON	(OFF)
Term. Conn.	1-3	OPEN

PANEL CUT-OUT



Compliance: RohS III (2015/863/EU)

Tolerances:	0.00: ±0.25mm	Date	Name
	0.0: ±0.40mm	02/14	dr
Accessory	10/19	dr	
Modifications	Date	Name	

DPW 1 BG D2P x

knitter-switch

30 30 34

Page

1/2

Specifications:

Contact rating: max.: 500mA, 48V AC; 200mA, 50V DC; 200mA, 250V AC
Contact resistance: 50mOhm max.
Insulation resistance: 1GOhm min. at 500V DC
Dielectric strength: 1500V AC RMS
Operating temperature: -30°C to +85°C
Mechanical life: 1 000 000 cycles
Electrical life: 500 000 cycles
Operating force: 2-5N
Soldering conditions: 350°C max., 5sec.
Panel thickness: 1.5mm min. - 4.0mm max.
Travel: 1.5mm
Torque: 1.5Nm max. applied to nut
Material: Case: diallyl phthalate (DAP) (UL94V-0)
 Cap: polyamide 6/6
 Terminal / contacts: gold over silver plated
 Bushing: zinc alloy, black ED-coated
IP rating: IP 67 (mounted)

x	Cap colour
W	white
K	black
R	red
O	orange
Y	yellow
G	green
B	blue

Compliance: RohS III (2015/863/EU)

Tolerances: 0.00: ±0.25mm 0.0: ±0.40mm		Date	Name	DPW 1 BG D2P x
		02/14	dr	
		knitter-switch		30 30 34
Accessory	10/19	dr		Page 2/2
Modifications	Date	Name		